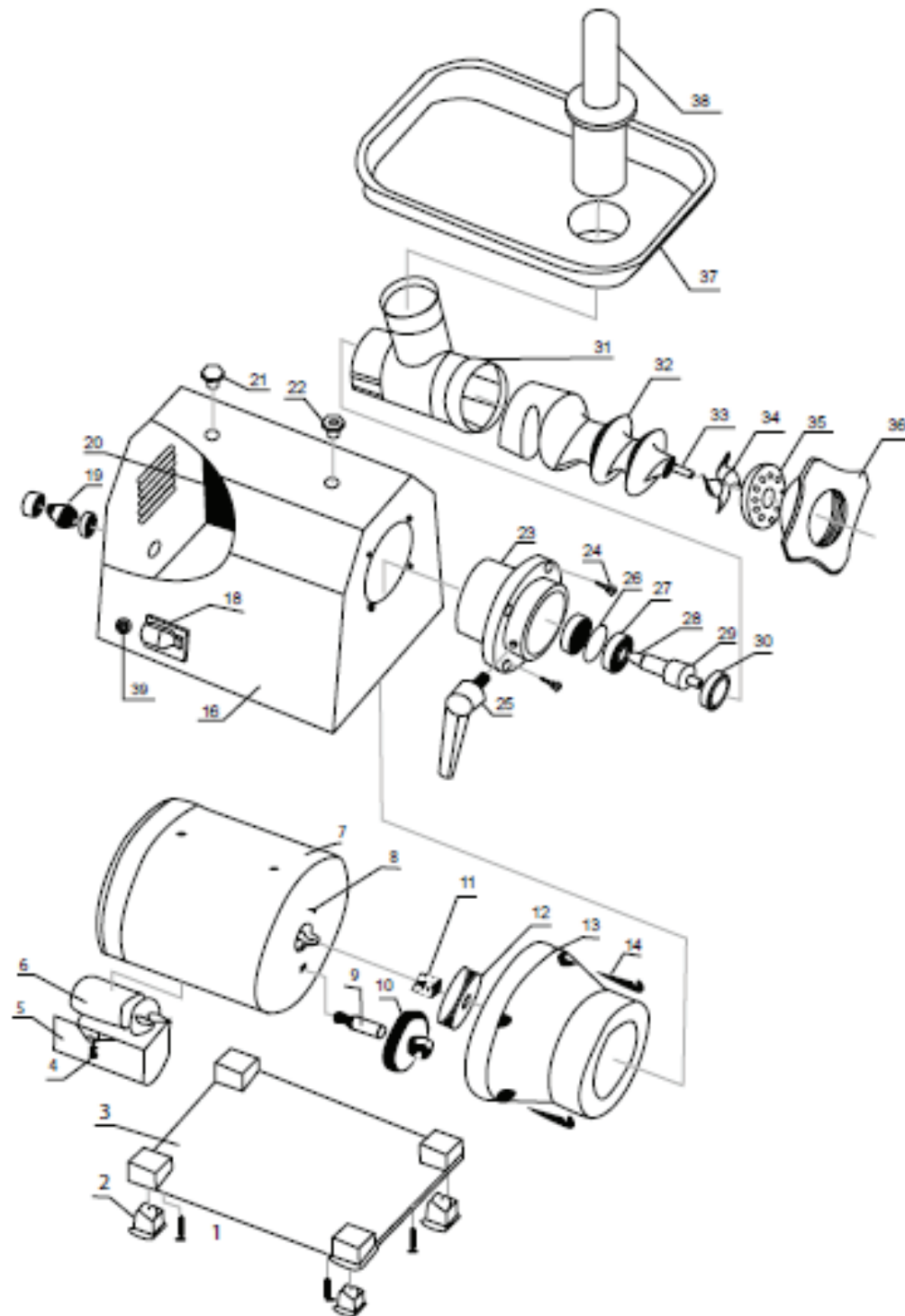


Parts Breakdown

Model MG-CN-0022-S 23626



Parts Breakdown

Model MG-CN-0022-S 23626

Item No.	Description	Position	Item No.	Description	Position	Item No.	Description	Position
30987	Screw (M5x32) for 23626	1	31000	Screw (M5x40) for 23626	14	31012	Shaft for 23626	29
30988	Foot for 23626	2	31001	Case for 23626	16	31013	Seal Oil (B25x40x7) for 23626	30
30989	Bottom Plate for 23626	3	31002	Switch for 23626	18	30440	Head for 23626	31
30990	Screw (M4x8) for 23626	4	31003	Cable Clips for 23626	19	30441	Feed Screw for 23626	32
30991	Capacitor Support for 23626	5	31004	Sponge Pad for 23626	20	31014	Arbor for 23626	33
30992	Capacitor 20uF 450V for 23626	6	31005	Motor Locking Screw for 23626	21	11078	ES Machine Knife Stainless Steel #22 for 23626	34
30993	Motor for 23626	7	31006	Oil Stopper for 23626	22	11199	ES #22 HS Plate with Hub 1/8 3.2mm One Notch / Round for 23626	35
30994	Key (4x12) for 23626	8	30443	Grinder Mount for 23626	23	31017	Retaining Nut for 23626	36
30995	Shaft for 23626	9	31007	Screw (M6x20) for 23626	24	31018	Feed Pan for 23626	37
30996	Dual Gear (II:40T, III:18T) for 23626	10	31008	Lock Handle for 23626	25	31019	Food Pusher for 23626	38
30997	Gear I (13T) for 23626	11	31009	Retainer Ring for 23626	26	31020	Circuit Breaker for 23626	39
30998	Gear IV (40T) for 23626	12	31010	Ball Bearing #60203 for 23626	27			
30999	Gearbox - Case for 23626	13	31011	Key (5x10) for 23626	28			